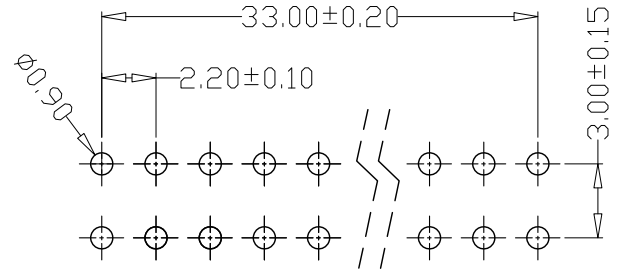
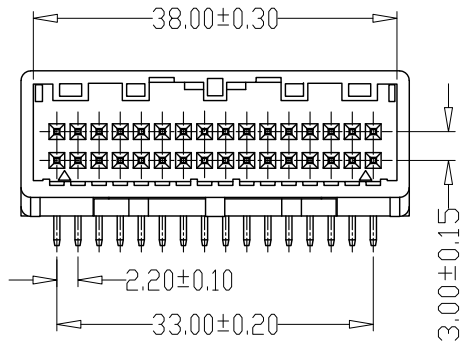


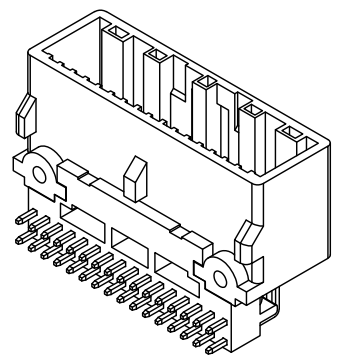
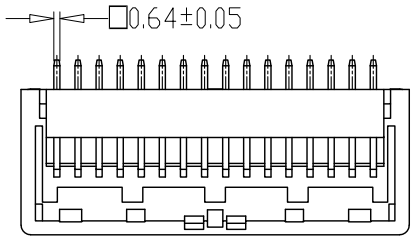
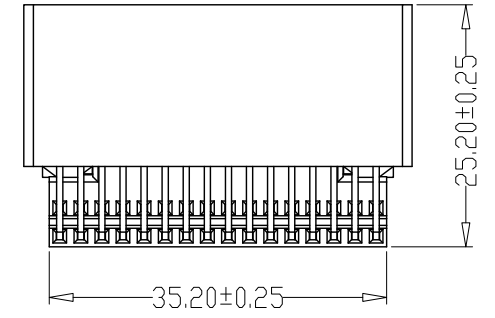
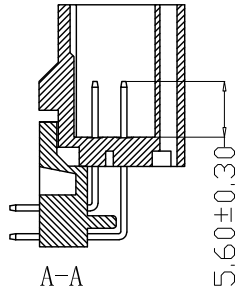
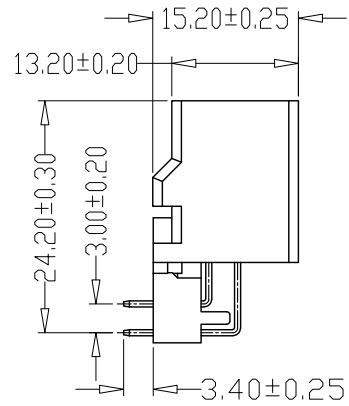
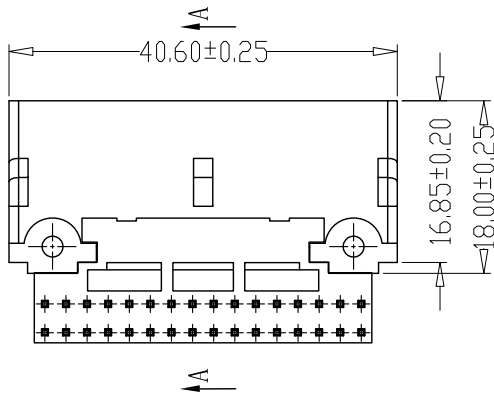
|            |            |         |                     |             |
|------------|------------|---------|---------------------|-------------|
| 版本<br>REV. | 日期<br>DATE | ECN NO. | 变更内容<br>DESCRIPTION | 制图<br>DRAWN |
|            |            |         |                     |             |

SPECIFICATIONS

- 1、Current Rating: 3A AC, DC
- 2、Voltage Rating: 50V AC, DC
- 3、Temperatuer Range: -30°C~+105°C
- 4、Contact Resistance: 10mΩ Max
- 5、Insulation Resistance: 100MΩ Min
- 6、Withstanding Voltang: 1000V AC/minute
- 7、Material: Wafer PBT, UL94V-0  
PIN Brass Tin-plated



PCB LAYOUT



|                   |            |                |                   |  |                            |             |     |
|-------------------|------------|----------------|-------------------|--|----------------------------|-------------|-----|
| GENERAL TOLERANCE |            | 制图<br>Mapping  | 张迎春<br>2022、09、02 | 料号<br>PART NO.   | C22001-2*16AW              | 版本<br>REV.  | A   |
| X±0.25            | X°±2°      | 审核<br>Audit    | 钱岳生<br>2022、09、02 | 品名<br>TITLE  | PHQ928弯针<br>WAFER DIP TYPE | 页次<br>SHEET | 1/1 |
| .X±0.25           | .X°±1°     | 核准<br>Approved | 张名<br>2022、09、03  | 客户料号<br>CUTM. NO.                                      |                            |             |     |
| .XX±0.15          | .XX°±0.5°  | 单位<br>Units    | mm                | 比例<br>SCALE  |                            |             |     |
| .XXX±0.10         | .XXX°±0.5° |                |                   | <br>乐清市宏一电子有限公司<br>YueQing HongYi Electronics Co., Ltd |                            |             |     |